

SOLID EDGE NORTHERNLITE DECKING INSTALLATION INSTRUCTIONS

The appearance of this product changes when viewed from different ends. To achieve the most consistent colour, install all of the boards in the same direction using the product code arrows on the side of the boards as a point of reference. Install all boards with the arrows pointing in the same direction. Installing boards in opposing direction will create light and dark shades of the deck board colour and is not covered under warranty. Prior to construction, check with your local regulatory agency for special code requirements in your area. For best results, follow these simple installation instructions, paying close attention to gapping, spacing and fastener requirements.

Joist Span

12" on-center for residential perpendicular applications. Residential parquet patterns and diagonal or herringbone designs all require joist spacing 12" on-center.

Side Gapping: 1/4"

End-To-End Spacing

Allow a minimum of 1/16" gap between board ends for every 6.6°C of difference between installation temperature and the hottest temperature expected (see Figure 1). Additional blocking may be needed for support (see Figure 2). Allow 1/4" distance between all material and any permanent structure or post. After all of the decking has been attached, snap chalk lines (white or yellow chalk recommended) flush with or up 1-1/2" out from the decking framing and trim with a circular saw. TruNorthDeck decking, like all other wood and composite decking products, requires proper ventilation and drainage in order to ensure its longevity. When using a minimum 2x6 joist standing on edge and the suggested 1/4" side gap, there should be a 2" clear space between the bottom and the edge of the joist and grade to allow for proper ventilation. Adequate drainage is also needed to prevent water from pooling under the deck.

Board end to board end gapping requirements											
Warmest annual temperature °C expected in region											
°C	-6.7	-1.1	4.4	10	15.6	21.1	26.7	32.2	37.8	43.3	48.9
-6.6	1/8	1/8	1/8	1/8	1/8	3/16	3/16	1/4	1/4	5/16	5/16
-1.1		1/8	1/8	1/8	1/8	1/8	3/16	3/16	1/4	1/4	5/16
4.4			1/8	1/8	1/8	1/8	1/8	3/16	3/16	1/4	1/4
10				1/8	1/8	1/8	1/8	1/8	3/16	3/16	1/4
15.6					1/8	1/8	1/8	1/8	1/8	3/16	3/16
21.1						1/8	1/8	1/8	1/8	1/8	3/16
26.7							1/8	1/8	1/8	1/8	1/8
32.2								1/8	1/8	1/8	1/8
37.8									1/8	1/8	1/8
43.3										1/8	1/8
48.9											1/8

Figure 1

Tips for decking installation (cont.)

Fasteners

For ease of installation, we recommend using 2-1/2" corrosion-resistance, composite wood deck screws. These screws help minimize the common "mushroom" effect that sometimes occurs when using standard fasteners. They can also reduce the amount of pre-drilling and countersinking. If using ordinary coarse thread deck screws, always pre-drill a pilot hole and countersink prior to driving screws. Screws should be driven flush with the TruNorthDeck decking surface. Do not over-tighten. Use two fasteners per deck board at each joist. For any decking where two boards meet end-to-end over a joist, add additional blocking (see Figure 2). Always pre-drill a pilot hole and countersink at board ends when using either composite or wood screws. Be careful not to over tighten screws near board ends.

Pre-drill and countersink all deck screws, regardless of type, that are within 1-1/2" of the end of the deck board

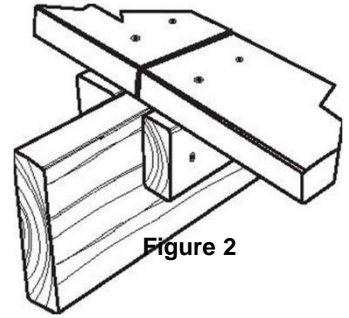


Figure 2

Colour Variation

Like most composite TruNorthDeck Decking will have colour variations from piece to piece. Do not install if variation is not acceptable.

Preventing mold and mildew growth on composite decking

Mold and mildew can be a nuisance on any exterior building surface, regardless of the material. If the conditions are right, they will spawn on the wood, plastic, concrete, metal and other surfaces. Mold formation is most prevalent in consistently wet, shaded areas. Spores from the natural environment are carried by the wind and commonly land on the deck surface. It is important to note that the appearance of mold/mildew is a function of nature, not necessarily a deficiency with any of the material on which it grows.

Cleaning

Periodic washing with soap/detergent and water will help remove surface dirt. This will help to prevent the buildup of pollen, debris and spores that can cause and accelerate mold/mildew growth. Caution: A pressure washer should not be used to "blast" mold/mildew or soil from a deck surface. The abrasive nature of the water stream can potentially cause damage by driving the spores into the material, which may create a more challenging problem to remediate. A pressure washer with a fan-tipped nozzle should be used only to lightly wet or rinse the composite deck surface.

There are many deck wash and exterior cleaning products available at retail. It is important to make sure you use a cleaner specifically intended for your application. After selecting a product, be certain to read, understand and follow all instruction supplied by the manufacturer. Some cleaning products and inhibitors may be more effective than others, depending on the environmental conditions your deck is subjected to. Additionally, it is always a good idea to test the cleaner in a small, inconspicuous area prior to applying it to the entire deck.

Mold Inhibitors

As with deck washes, there are several mold-inhibitor products available from paint store, hardware stores, online outlets and home centers to help prevent long-term mold/mildew growth. For any product selected, be certain to read, understand and follow all instructions provided by the manufacturer. Depending upon the environmental factors affecting your deck, some preventive cleaning products may be more effective than others. It may be necessary to try more than one product. For ongoing preventive maintenance, follow the manufacturer's recommendation.

TruNorthDeck decking is not suitable for structural use. It should not be used for primary load-bearing members such as posts, joists, beams or stringers. The same common-sense precautions should be taken when handling TruNorthDeck as with wood or other building materials. Dust mask and eye protection devices are recommended to avoid possible irritation from sawdust and chips. Gloves will help to protect the hands. Hands should be washed after doing construction work.

The diagrams and instructions in the brochure are for illustration purposes only and are not meant to replace a licensed professional. Any construction or use of the product must be in accordance with all local zoning and/or build codes. The consumer assumes all risks and liability associated with the construction or use of this product. The consumer or contractor should take all necessary steps to ensure the safety of everyone involved in the project, including, but not limited to, wearing the appropriate safety equipment. **EXCEPT AS CONTAINED IN THE WRITTEN LIMITED WARRANTY, THE WARRANTOR DOES NOT PROVIDE ANY OTHER WARRANTY, EITHER EXPRESS OR IMPLIED, AND SHALL NOT BE LIABLE FOR ANY DAMAGES, INCLUDING CONSEQUENTIAL DAMAGES.**

2017 TruNorth Composites All rights reserved. TruNorthDeck is registered trademark of 2017 TruNorth CompositesLtd..

www.TurNorthDeck.com